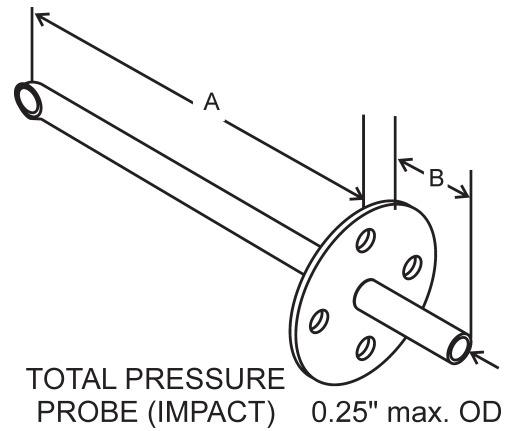
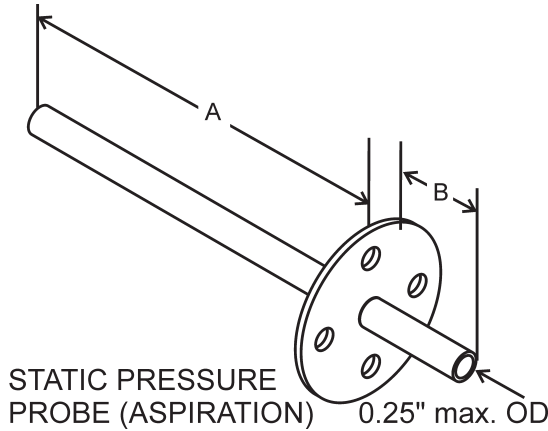


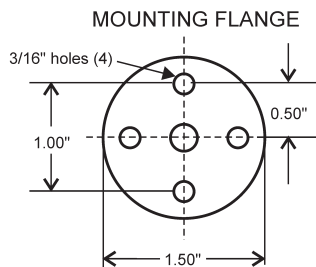


FOR AIR PRESSURE SENSING SWITCHES



Static Pressure (Aspiration) Probes				
Dimension A	Smooth OD Dimension B	Part Number	Barbed End Dimension B	Part Number
1.5	1.0	21397	1.75	21397-112
2.0	.5	21116	1.25	21116-112
3.5	1.0	21398	1.75	21398-112
4.0	.5	21117	1.25	21117-112
5.5	1.0	21399	1.75	21399-112
6.0	.5	21118	1.25	21118-112
7.5	1.0	21400	1.75	21400-112
8.0	.5	21119	1.25	21119-112

Total Pressure (Impact) Probes				
Dimension A	Smooth OD Dimension B	Part Number	Barbed End Dimension B	Part Number
1.5	1.0	21401	1.75	21401-112
2.0	.5	21120	1.25	21120-112
3.5	1.0	21402	1.75	21402-112
4.0	.5	21121	1.25	21121-112
4.75	.5	60691	1.25	60691-112
5.5	1.0	21403	1.75	21403-112
6.0	.5	21122	1.25	21122-112
7.5	1.0	21404	1.75	21404-112
8.0	.5	21123	1.25	21123-112
10.0	.5	28527	1.25	28527-112
12.0	.5	28528	1.25	28528-112



FACTORY-INSTALLED BARBED ADAPTER FOR HOSE CONNECTION



45° BARB TYP. 6 PLACES
BARBED END WILL ACCEPT
1/8" THRU 1/4" ID
FLEXIBLE PLASTIC TUBING.



Cleveland Controls
DIVISION OF UNICONTROL INC.
1111 Brookpark Rd
Cleveland OH 44109

Tel: 216-398-0330
Fax: 216-398-8558

Email: salesvac@unicontrolinc.com

Web page: <http://www.clevelandcontrols.com>

Are you reading a FAX or a COPY of this bulletin? DOWNLOAD the full-color PDF version of this and other literature at our website!

Recommended Probe Locations

1. Position the probe 5 to 8 diameters from any elbows, obstructions, or significant changes in the duct area.
2. Insert the probe into the duct perpendicular to the air stream so that:
 - Aspiration (**static**) probe tip opens parallel with the air stream.
 - Impact (**total pressure**) probe tip opens directly into the air stream.

Typical Applications (numbered 1 through 6, below)

1. Positive static pressure increases as the filter gets dirty.
2. Differential across filter changes as filter gets dirty.
3. Flow is reduced as filter gets dirty.
4. Fan operation **or** true air flow with little or no static pressure.
5. Negative pressure increases as the filter gets dirty.
6. Fan operation **and** true air flow with varying amounts of static pressure. Probes must be perpendicular to air flow.

